



Warranty and Installation Guide

Speaker Wall Mount Brackets

Thank you for purchasing these Crest Speaker Wall Mounts.

Crest prides itself on supplying quality audio visual accessories to consumers and businesses throughout Australia. If you follow this guide carefully, we are confident this product will help maximise the enjoyment you obtain from your audio visual equipment for many years. Please keep this guide for future reference.

5 YEAR WARRANTY

Olbertz Holdings Pty Ltd ACN 010 003 933 trading as Crest Electronics (Crest Electronics) of 165 South Pine Road, Brendale, Queensland, 4500, Ph: 1800 812261, Email www.crest.com.au, warrants that if this Crest product purchased by you from Crest or a retail outlet is found by Crest to be defective in workmanship or materials within 5 years of the date of purchase, Crest Electronics will (at its election) either repair that product, replace the product, supply an equivalent product or pay the costs of repairing or replacing the product or acquiring an equivalent product.

This limited warranty will not extend to or cover any expenses associated with removing, demounting the original product or installing the repaired, replaced or equivalent product or all or any of its components, you must bear these expenses. It also does not cover damage or loss resulting from intentional or unintentional misuse of, tampering with, alterations to or incorrect installation of this product or use of this product for purposes other than that for which it is designed or in a manner inconsistent with the product's instructions. This limited warranty also does not apply to damage or loss resulting from fair wear and tear or events beyond Crest Electronics' control including but not limited to natural disasters.

In order to claim under this warranty, you must contact Crest Electronics and return to Crest Electronics (via our nominated reply paid address) the product and its components and proof of purchase (including the date and location of purchase) so that Crest can verify the defect and your purchase. Our goods come with guarantees that cannot be excluded under the Australian Consumer Law. You are entitled to a replacement or refund for a major failure and compensation for any other reasonably foreseeable loss or damage. You are also entitled to have the goods repaired or replaced if the goods fail to be of acceptable quality and the failure does not amount to a major failure. The benefits given by this warranty are in addition to other rights and remedies which you may have under a law in relation to the goods or services to which the warranty relates.

INSTALLATION INSTRUCTIONS

IMPORTANT

1. Some images in this guide may vary slightly from the actual components supplied.
2. Ensure this Installation Guide is completely read and understood before attempting installation.
3. Mount **MUST NOT** be installed solely in plasterboard, fibre cement and similar surfaces.
4. Mount **MUST** be installed in sound supporting structures such as those made of timber, steel or masonry using appropriate fasteners.
5. The supporting structure must be capable of sustaining the combined weight of the TV mount and the display otherwise the structure must be reinforced.
6. The fasteners supplied in this hardware pack allow for fixing into timber and masonry only. If installing into a supporting structure made of steel, appropriate fasteners must be used and sourced from an appropriate supplier.
7. Use appropriate tools and safety equipment and ensure adequate ventilation during installation.
8. If uncertain about any aspect of installation, contact Crest or an installation professional.

TECHNICAL SUPPORT

If you have any questions regarding the warranty, installation or use of this product, please contact our Technical Support Centre on 1800 812 261.

TOOLS REQUIRED

Drywall (Timber Frame) Installation

- Stud finder
- Spirit level
- Pencil
- Drill
- Long neck phillips head screwdriver
- 3mm diameter high speed drill bit
- Adjustable spanner

In addition, for Masonry Installation

- Drill with hammer function
- 5.5mm masonry drill bit
- Hammer

STEP 1 – DISASSEMBLE THE SPEAKER BRACKET

1. Unpack bracket from box, these now need to be disassembled for easier attachment to the speaker and the wall.
2. Separate by unscrewing the main screw holding the unit together and pull apart as shown in Figure 1.
3. Keep parts together so as not to be lost, as they will be used again in step 4.

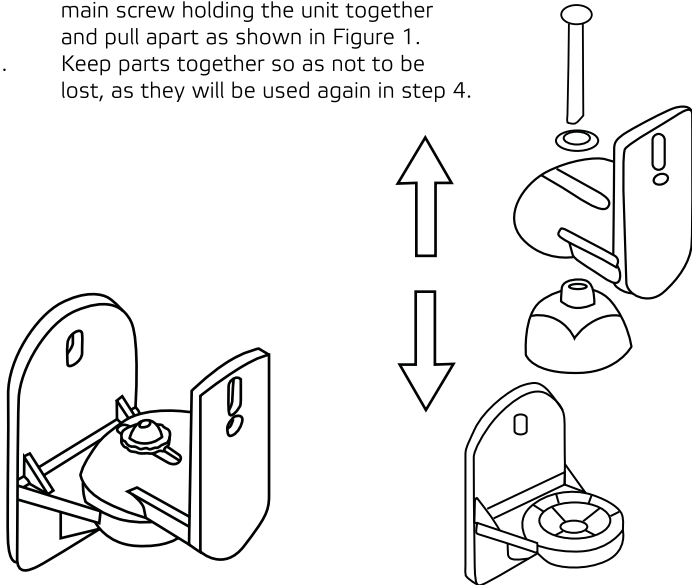
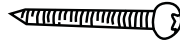



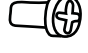






Figure 1

HARDWARE KIT CONTENTS

Item	Description	Qty
A	 1 1/2" Woodscrew	4
B	 Masonry Anchor	4
C	 1/4" UNC Bolt	2
D	 M6 Bolt	2
E	 M5 Bolt	2
F	 3/4" Woodscrew	2
G	 M8 Washer	2
H	 Keyhole fixing knob	2
J	 Keyhole fixing bolt	2

STEP 2 – ATTACH SPEAKER PLATE ONTO BACK OF SPEAKER

A. Attaching to a Speaker with no Screw holes or Keyhole (see Figure 2)

1. Position the Speaker Bracket centre to the back of the speaker about a 1/3 of the way down from the top.
2. Mark the hole position then remove the plate and carefully drill a 3mm hole ensuring not to go too far (CAUTION- Be careful not to drill all the way through the cabinet and into the components inside. Crest is not responsible for any damage caused by drilling into the speaker)
3. Once predrilled hole is complete, use a 3/4" No.8 Woodscrew (F) and M8 Washer (G) to attach the plate to the speaker, and do not over tighten.

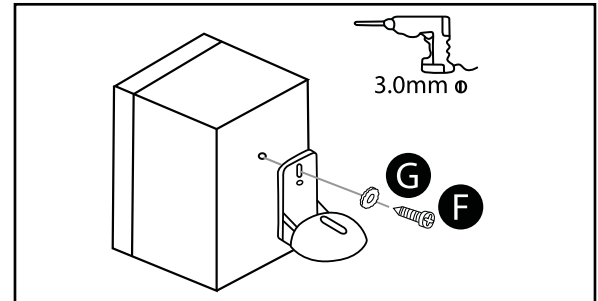


Figure 2 - Screw fixing

B. Attaching to a Speaker with a Keyhole (see Figure 3)

1. These speakers have a Keyhole shaped space in the back of them to allow a Keyhole Bolt to fit into the bottom of the hole then slide up to hold the speaker in place.
2. Firstly take the Keyhole Bolt (J) and put it through the hole in the Speaker plate, then loosely tighten with Keyhole Fixing Knob (H).
3. Once this is done insert the large end of the Keyhole Bolt into the Keyhole space and slide upwards to lock into place. You can now turn the Knob to tighten the bolt into position.

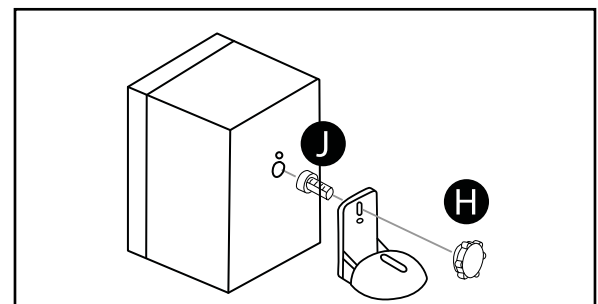


Figure 3 - Keyhole fixing

C. Attaching to a Speaker with a threaded screw hole (see Figure 4)

1. These speakers have a Threaded Screw Hole in the back of them to allow a Bolt to fit into them.
2. Firstly choose the correct sized bolt to use that will easily screw into the space provided and hold the plate into position. We have provided 3 different size bolts to help you with this being (C) 1/4" UNC Bolt, (D) M6 6mm Bolt and (E) M5 5mm Bolt. If you can't find a matching bolt you will need to get one from your local hardware store.
3. Once you have the correct bolt insert this through a M8 8mm Washer (G) and then the Speaker plate and into the back of the Speaker. Do not over tighten.

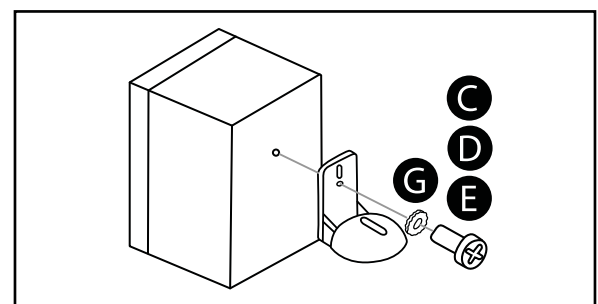


Figure 4 - Single threaded insert



STEP 3 – ATTACH THE SPEAKER WALL PLATE ONTO THE WALL

A. Installing in Drywall (Timber Frame) (See Figure 5).

1. Locate centre of timber stud using a stud finder (Caution- the timber stud must be used do not try any other method as shown in figure 5 as these will not hold the Speaker up and Crest is not responsible for any damage that may be caused by incorrect installation).
2. Mark two fixing holes over stud centers using the wall plate as guide. Ensure wall plate is straight and level.
3. Predrill holes to a depth of 25mm using high speed 3mm drill bit. If installing in hardwood, larger diameter and deeper holes may be required.
4. Attach the wall plate using long screws (A) 1 1/2" No.B Woodscrew. Do not over tighten.

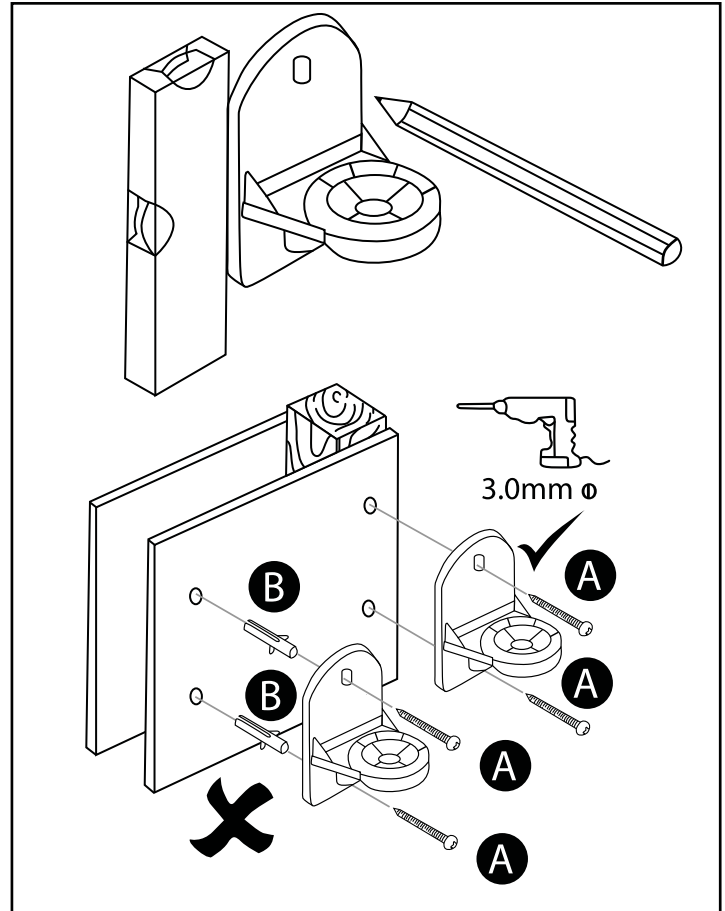


Figure 5

B. Installing in Timber Post (See Figure 6).

1. Locate centre of timber post and mark two fixing holes using the wall plate as guide. Ensure wall plate is straight and level.
2. Predrill holes to a depth of 25mm using high speed 3mm drill bit. If installing in hardwood, larger diameter and deeper holes may be required.
3. Attach the wall plate using long screws (A) 1 1/2" No.B Woodscrew. Do not over tighten.

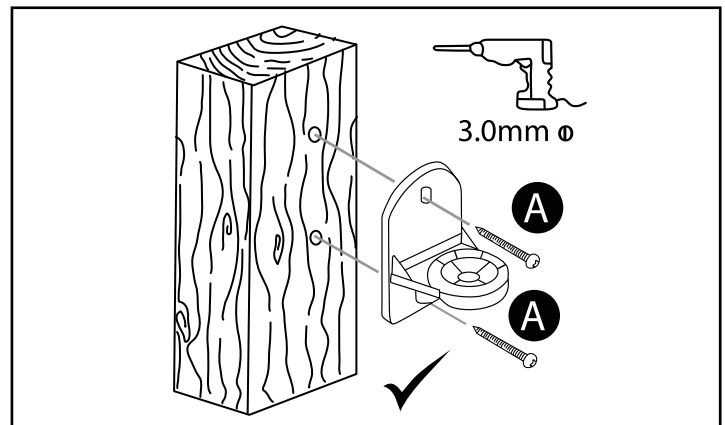


Figure 6

C. Installing in Masonry (See Figure 7).

1. **WARNING-** ensure you have an minimum of 35mm of actual concrete/brick thickness in the hole for the anchors. Do not drill into mortar joints. Installer must verify that the supporting surface will safely support the combined weight of the bracket and speaker. Crest holds no responsibility for incorrectly installed brackets.
2. Mark two fixing holes using wall plate as guide. Ensure plate is straight and level.
3. Predrill holes to a depth of 38mm using 5.5mm masonry drill bit. Clean out holes.
4. Fully insert masonry anchors (B). Tap in with hammer if required.
5. Attach wall plate by inserting long screws (A) into each masonry anchor (B) and tighten. Do not over tighten.

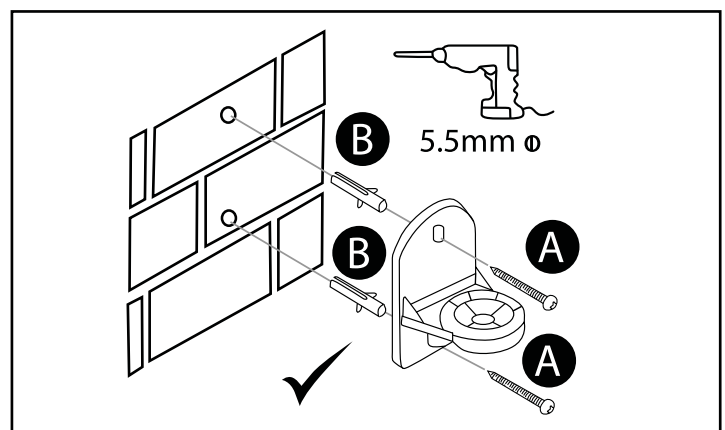
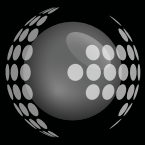


Figure 7



Warranty and Installation Guide Speaker Wall Mount Brackets

STEP 4 – MOUNT SPEAKER ONTO WALL PLATE.

See Figure 8

1. Carefully now re-assemble the Speaker Bracket by attaching the Speaker/Speaker Plate onto the mounted wall mount using the screw/washer and swivel that was disassembled in Step 1.
2. Once you have positioned the Speaker into the desired position tighten the main screw as shown.
3. If you desire to reposition the speaker simply loosen then tighten again once you have the correct position.

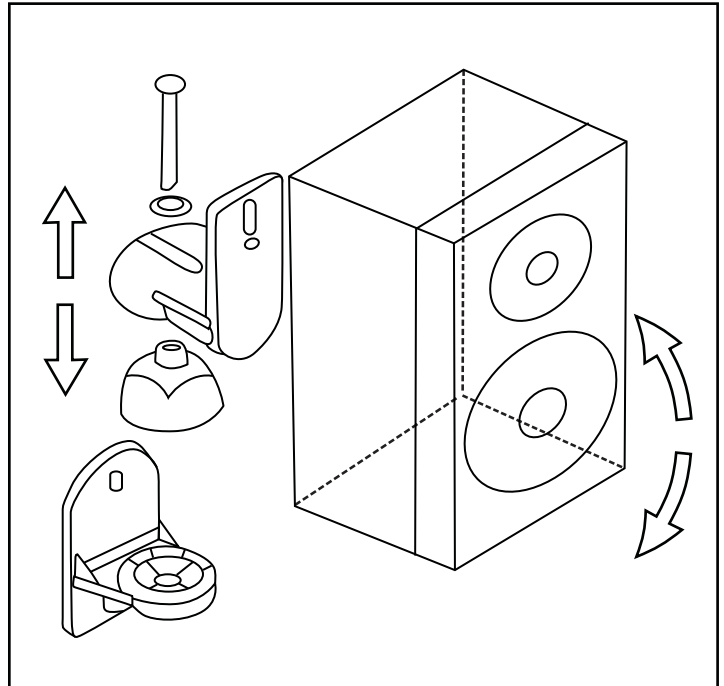


Figure 8

