

CBFP9F TV Wall Mount



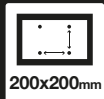
Fixed Position

This TV Wall Mount fixes your TV flat to the wall without any movement



Compatible TV Size

This TV Wall Mount fits 15–42” (38–106cm) TV Screens



Maximum Mounting Pattern

This TV Wall Mount has a mounting hole pattern up to 200x200mm (HxW)



Maximum TV Weight

This TV Wall Mount supports TVs weighing up to 35kg

! SAFETY FIRST

1. Installation of this TV Wall Mount will be easier with two people.
2. Some images in this guide may vary slightly from the actual components supplied.
3. Ensure this instruction manual is completely read and understood before attempting installation.
4. This TV Wall Mount **MUST NOT** be installed solely in plasterboard, fibre cement and similar surfaces.
5. This TV Wall Mount **MUST** be installed in sound supporting structures such as those made of timber, steel or masonry using appropriate fasteners.
6. The supporting structure must be capable of sustaining the combined weight of the TV Wall Mount and the display otherwise the structure must be reinforced.
7. The fasteners supplied in this hardware pack allow for fixing into timber and masonry only. If installing into a supporting structure made of steel, appropriate fasteners must be used and sourced from an appropriate supplier.
8. Use appropriate tools and safety equipment and ensure adequate ventilation during installation.
9. If uncertain about any aspect of installation, contact The Crest Company or an installation professional.
10. Please retain these instructions for future reference.

Hardware Kit Contents

ITEM	DESCRIPTION	QTY	ITEM	DESCRIPTION	QTY
A	M6 x 55mm Lag Bolt	4	G	M4 x 12mm Bolt	4
B	Concrete Anchor	4	H	M5 x 8mm Bolt	4
C	D4mm Washer	4	I	M5 x 12mm Bolt	4
D	D5mm Washer	4	J	M6 x 8mm Bolt	4
E	D6mm Washer	8	K	M6 x 12mm Bolt	4
F	M4 x 8mm Bolt	4	L	M5 x 10mm Safety Bolt	4

Tools Required

DRYWALL INSTALLATION (TIMBER SUPPORTS):

- Adjustable spanner/socket set
- Philips head screwdriver
- Power drill
- High speed 3mm drill bit
- Stud finder
- Spirit level and pencil

MASONRY INSTALLATION:

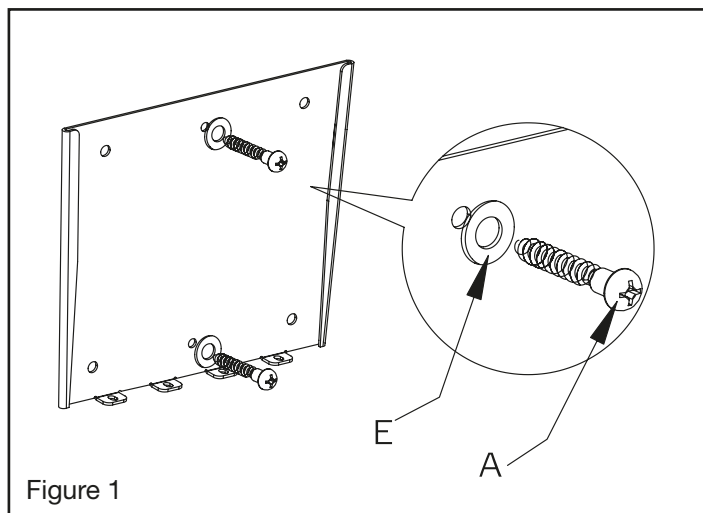
- Adjustable spanner/socket set
- Philips head screwdriver
- Power drill with hammer function
- 8mm masonry drill bit
- Spirit level and pencil
- Hammer

Step 1: Attach Wall Plate to Wall

A. INSTALLING IN DRYWALL (TIMBER SUPPORTS)

WARNING: If attaching this TV Wall Mount using this method, you MUST position the wall plate over a wall stud. The Crest Company will not accept any damages that may occur and holds no responsibility for incorrectly installed TV Wall Mounts.

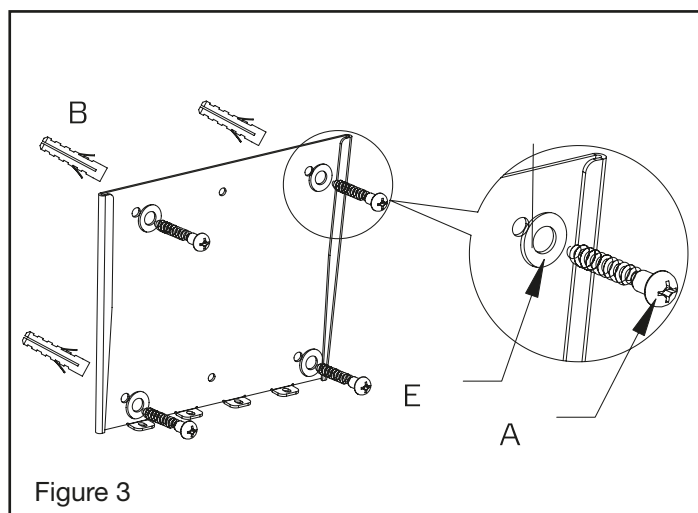
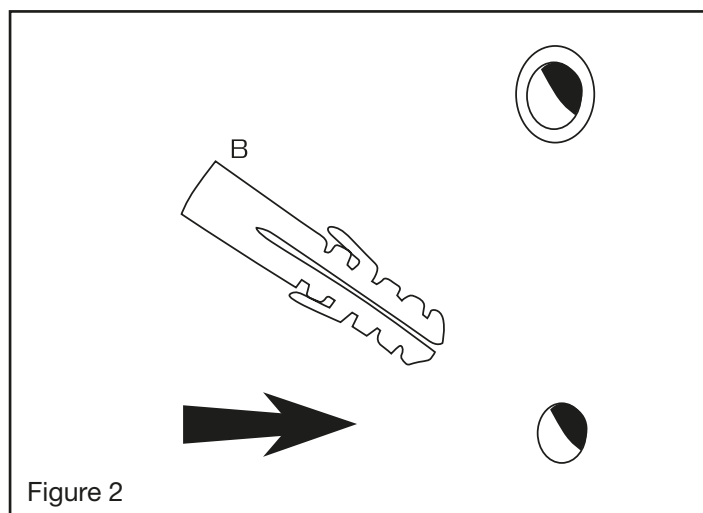
1. Locate the centre of timber using a stud finder.
(NOTE: You must use the centre of the stud to avoid cracking or splitting the timber during installation).
2. Mark fixing holes over stud centres using the wall plate as a guide (see Figure 1). Ensure wall plate is level.
3. Pre-drill holes to a depth of 45mm using a high speed 3mm drill bit. If installing in hardwood, larger diameter and deeper holes may be required.
4. Attach the wall plate using the lag bolts (A) through the washers (E). Do not over tighten.



B. INSTALLING IN MASONRY

1. Mark 4 fixing holes using the wall plate as a guide. Ensure wall plate is level.
2. Pre-drill holes to a depth of 55mm using an 8mm masonry drill bit. Clean out holes.
3. Fully insert the concrete anchors (B) into the drill holes (see Figure 2). Tap in with hammer if required.
4. Attach the wall plate by inserting the lag bolts (A) through the washers (E) and into each concrete anchor (B).
Do not over tighten (see Figure 3).

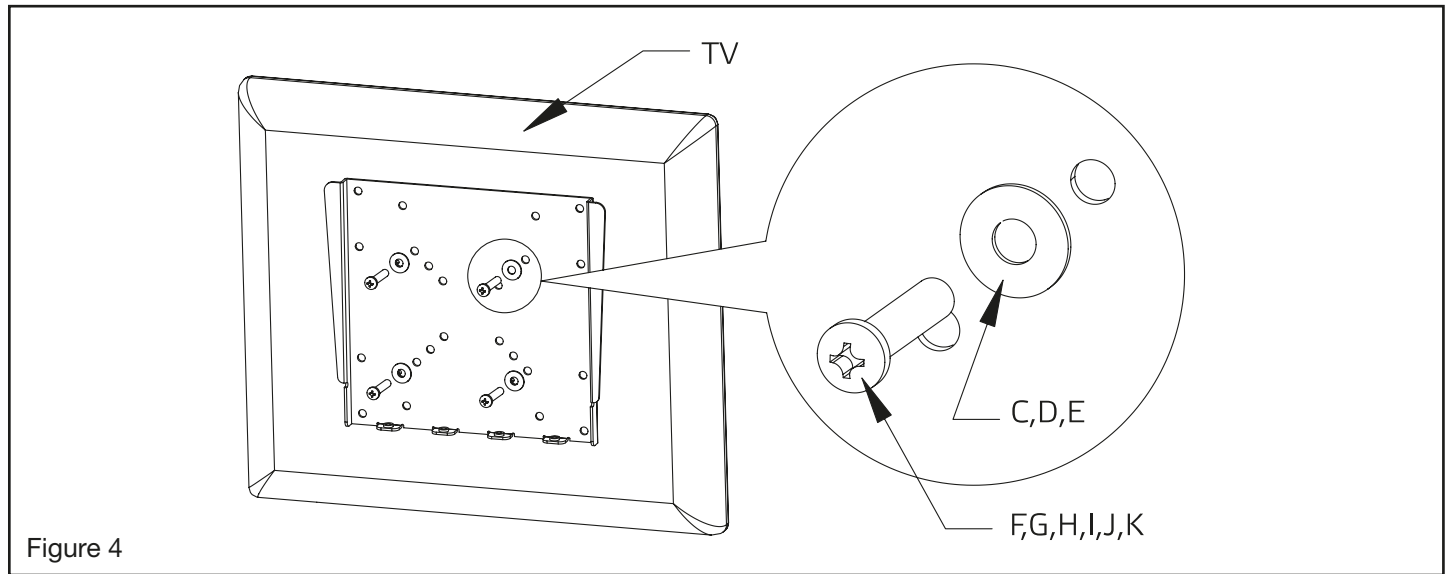
WARNING: Ensure you have a minimum of 35mm of actual concrete/brick thickness in the hole for the anchors. Do not drill into mortar joints. Installer must verify that the supporting surface will safely support the combined weight of the TV Wall Mount and TV. The Crest Company holds no responsibility for incorrectly installed TV Wall Mounts.



Step 2: Attach TV Wall Mount to TV

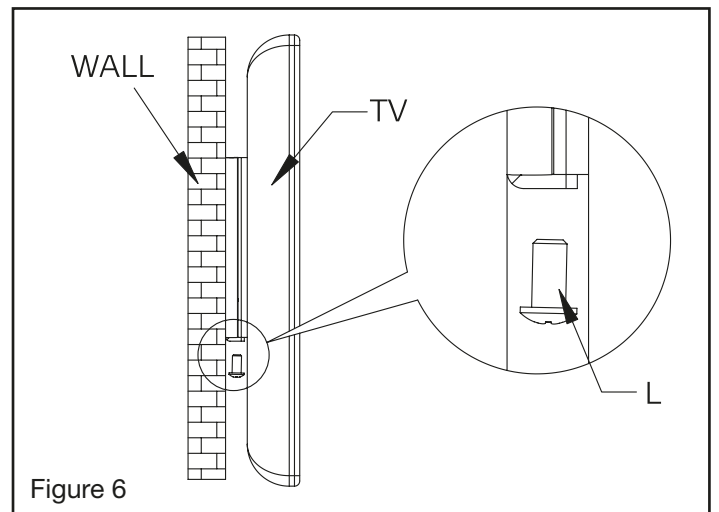
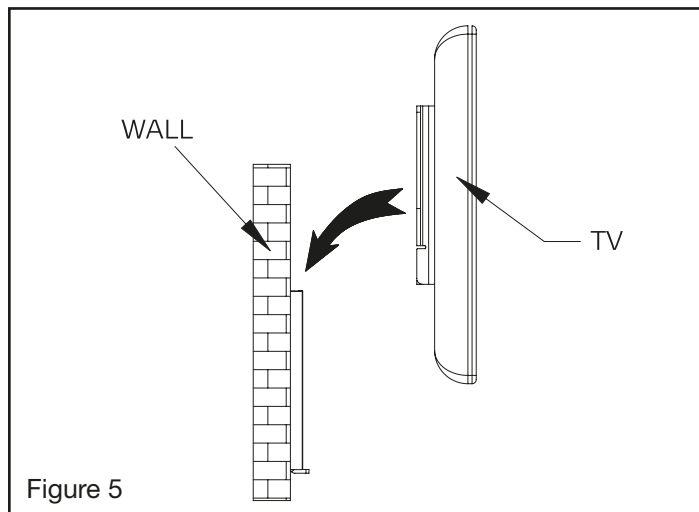
1. Using the correct mounting bolt size and length (F to K), insert these through the corresponding washers (C, D or E) to attach the TV Wall Mount to the rear of the TV. To avoid damaging TV, do not over tighten bolts.

The Crest Company is not responsible for any damage caused by screwing the bolt too far into the back of the TV.



Step 3: Hook TV Wall Mount over Wall Plate

1. Using a second person for assistance, carefully lift TV and hook the TV Wall Mount over the wall plate and slide down slowly (see Figure 5).
2. Insert the safety bolts (L) through the tabs at the bottom of wall plate and the TV Wall Mount. Tighten the safety bolts with a long neck Philips head screwdriver (see Figure 6).
2. Ensure your TV is securely hooked before releasing your hold.



Check your TV Wall Mount is secure and safe to use at regular intervals (at least every three months).

5 YEAR WARRANTY

Olbertz Holdings Pty Ltd ACN 010 003 933 trading as The Crest Company of 165 South Pine Road, Brendale, Queensland, 4500, Ph: 1800 812 261, www.crest.com.au, warrants that if this Crest product purchased by you from The Crest Company or a retail outlet is found by The Crest Company to be defective in workmanship or materials within 5 years of the date of purchase, The Crest Company will (at its election) either repair that product, replace the product, supply an equivalent product or pay the costs of repairing or replacing the product or acquiring an equivalent product.

This limited warranty will not extend to or cover any expenses associated with removing, demounting the original product or installing the repaired, replaced or equivalent product or all or any of its components, you must bear these expenses. It also does not cover damage or loss resulting from intentional or unintentional misuse of, tampering with, alterations to or incorrect installation of this product or use of this product for purposes other than that for which it is designed or in a manner inconsistent with the product's instructions. This limited warranty also does not apply to damage or loss resulting from fair wear and tear or events beyond The Crest Company control including but not limited to natural disasters.

In order to claim under this warranty, you must contact The Crest Company and return to The Crest Company (via our nominated reply paid address) the product and its components and proof of purchase (including the date and location of purchase) so that The Crest Company can verify the defect and your purchase.

Our goods come with guarantees that cannot be excluded under the Australian Consumer Law. You are entitled to a replacement or refund for a major failure and compensation for any other reasonably foreseeable loss or damage. You are also entitled to have the goods repaired or replaced if the goods fail to be of acceptable quality and the failure does not amount to a major failure. The benefits given by this warranty are in addition to other rights and remedies which you may have under a law in relation to the goods or services to which the warranty relates.

Proudly brought to you by:



PO Box 5658 Brendale
QLD Australia 4500

Customer Support
1800 812 261
www.crest.com.au
AUSTRALIAN OWNED