

# LCD009 TV Wall Mount



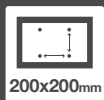
## Fixed Position

This TV Wall Mount fixes your TV flat to the wall without any movement



## Compatible TV Size

This TV Wall Mount fits 17–47” (43–119cm) TV screens



## Maximum Mounting Pattern

This TV Wall Mount has a mounting hole pattern up to 200x200mm (HxW)



## Maximum TV Weight

This TV Wall Mount supports TVs weighing up to 35kg

## ! SAFETY FIRST

1. Installation of this TV Wall Mount will be easier with two people.
2. Some images in this guide may vary slightly from the actual components supplied.
3. Ensure this instruction manual is completely read and understood before attempting installation.
4. This TV Wall Mount **MUST NOT** be installed solely in plasterboard, fibre cement and similar surfaces.
5. This TV Wall Mount **MUST** be installed in sound supporting structures such as those made of timber, steel or masonry using appropriate fasteners.
6. The supporting structure must be capable of sustaining the combined weight of the TV Wall Mount and the display otherwise the structure must be reinforced.
7. The fasteners supplied in this hardware pack allow for fixing into timber and masonry only. If installing into a supporting structure made of steel, appropriate fasteners must be used and sourced from an appropriate supplier.
8. Use appropriate tools and safety equipment and ensure adequate ventilation during installation.
9. If uncertain about any aspect of installation, contact The Crest Company or an installation professional.
10. Please retain these instructions for future reference.

## Hardware Kit Contents

ITEM	DESCRIPTION	QTY	ITEM	DESCRIPTION	QTY
A	Drywall Bolt	3	E	M6 x 12mm Bolt	4
B	Concrete Anchor	3	F	M6 x 20mm Bolt	4
C	M4 x 12mm Bolt	6	G	Spacer	4
D	M4 x 20mm Bolt	4	H	M6 Washer	4

## Tools Required

### DRYWALL INSTALLATION (TIMBER SUPPORTS):

- Adjustable spanner/socket set
- Philips head screwdriver
- Power drill
- High speed 3mm drill bit
- Stud finder & spirit level
- Pencil

### MASONRY INSTALLATION:

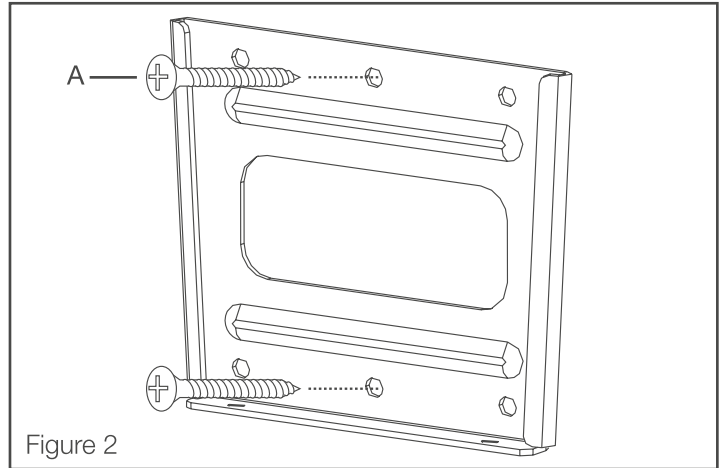
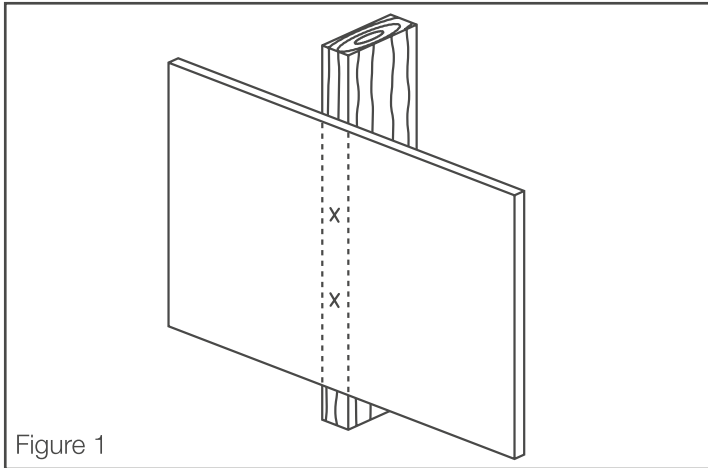
- Adjustable spanner/socket set
- Philips head screwdriver
- Power drill with hammer function
- 8mm masonry drill bit
- Spirit level
- Pencil
- Hammer

# Step 1: Fix Wall Plate to Wall

## A. INSTALLING IN DRYWALL (TIMBER SUPPORTS)

**WARNING: If attaching this TV Wall Mount using this method, you MUST position the wall plate over a wall stud. The Crest Company will not accept any damages that may occur and holds no responsibility for incorrectly installed TV Wall Mounts.**

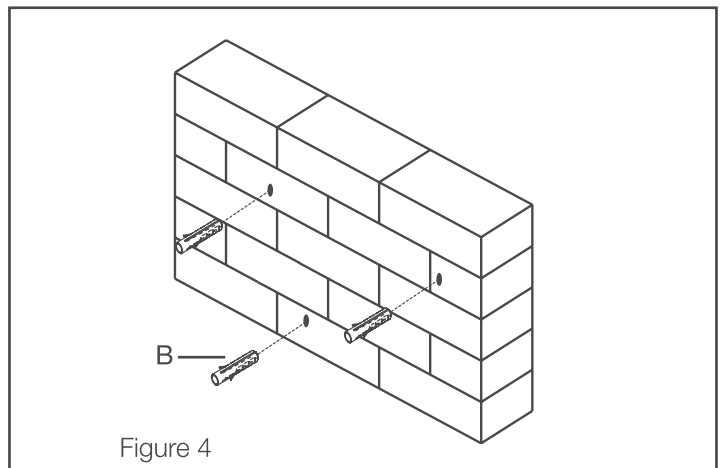
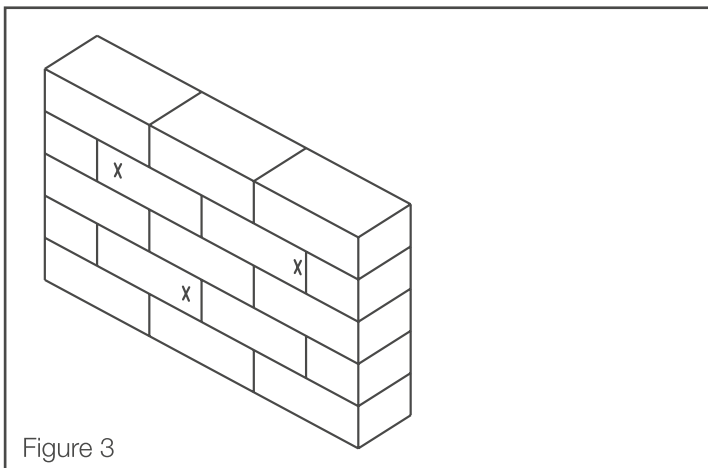
1. Locate the centre of timber stud using a stud finder  
(NOTE: You must use the centre of the stud to avoid cracking or splitting the timber during installation).
2. Mark 2 fixing holes over stud centres (see Figure 1). Ensure Wall Plate holes are level using a spirit level.
3. Pre-drill holes to a minimum depth of 40mm using a high speed 3mm drill bit. If installing in hardwood, larger diameter and deeper holes may be required.
4. Attach using 2 drywall bolts (A) provided (see Figure 2). Do not over tighten. Ensure wall plate is the correct way up.



## B. INSTALLING IN MASONRY

**WARNING: Ensure you have a minimum of 35mm of actual concrete/brick thickness in the hole for the anchors. Do not drill into mortar joints. Installer must verify that the supporting surface will safely support the combined weight of the TV Wall Mount and TV. The Crest Company holds no responsibility for incorrectly installed TV Wall Mounts.**

1. Mark 3 fixing holes (see Figure 3) for securing mount. Ensure Wall Plate is level using a spirit level.
2. Pre-drill holes to a minimum depth of 50mm using an 8mm masonry drill bit. Clean out holes.
3. Fully insert the concrete anchors (B) into the drill holes (see Figure 4). Tap in with hammer if required.
4. Attach using drywall bolts (A) provided (see Figure 5). Do not over tighten. Ensure wall plate is the correct way up.



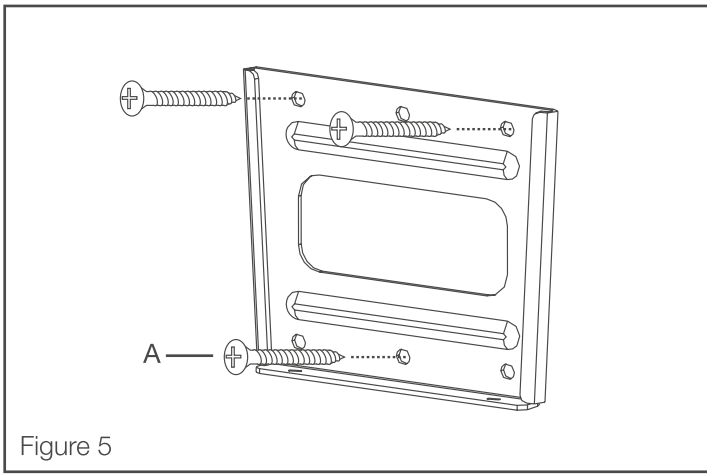


Figure 5

## Step 2: Attach TV Wall Mount to TV

1. Using a second person for assistance, lay your TV face down on something soft so as not to scratch the TV screen.
2. Check the back of your TV to find the appropriate mounting pattern.
3. Sort through the provided bolts (C to F) along with the M6 Washers (H) until you find the correct size that easily fits into the back of your TV and fits snugly (the bolt must turn at least 3 full turns, do not tighten). If you feel resistance stop immediately and select a smaller bolt.

*The Crest Company is not responsible for any damage caused by screwing the bolt too far into the back of the TV.*

If no bolts fit, you will need to go to your local hardware supplier to find the correct bolt sizes.

4. Once the bolts have been identified, gently put your TV Wall Mount on the back of the TV so that the mounting holes are showing the TV Wall Mount. If the back of your TV is curved or recessed you will need to use a spacer (G) to clear the space (see Figure 7). If using spacers you will now need to use longer bolts. Remember that the bolt needs to turn at least 3 full turns.
5. Using the correct mounting bolt size and length, attach TV Wall Mount to rear of TV (see Figure 6). To avoid damaging TV, do not over tighten bolts.

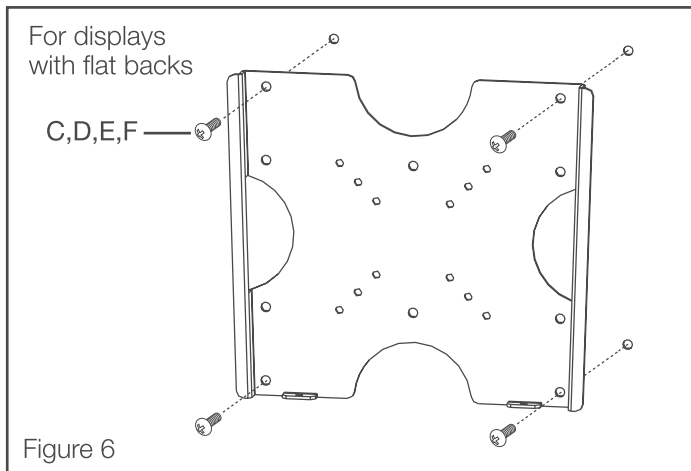


Figure 6

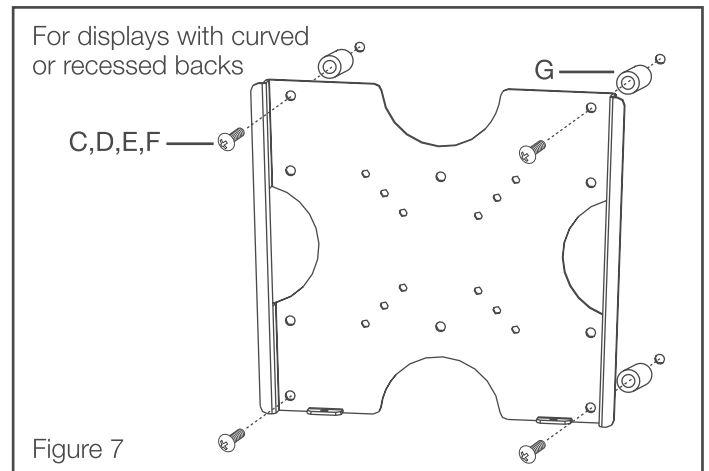


Figure 7

## Step 3: Slide TV Wall Mount into Wall Plate

1. Slide the TV Wall Mount (with the TV attached) into the Wall Plate on the wall.
2. Insert 2 M4 x 12mm bolts (C) into the bottom of the TV Wall Mount and tighten (see Figure 8).  
Remove these bolts before removing TV Wall Mount from the Wall Plate.

*Check your TV Wall Mount is secure and safe to use at regular intervals (at least every three months).*

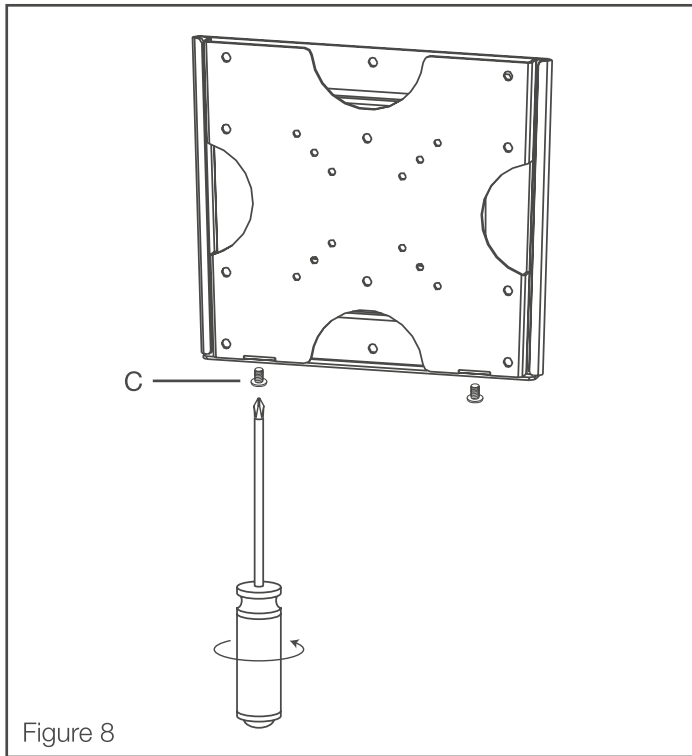


Figure 8

### 5 YEAR WARRANTY

Olbertz Holdings Pty Ltd ACN 010 003 933 trading as The Crest Company of 165 South Pine Road, Brendale, Queensland, 4500, Ph: 1800 812 261, [www.crest.com.au](http://www.crest.com.au), warrants that if this Crest product purchased by you from The Crest Company or a retail outlet is found by The Crest Company to be defective in workmanship or materials within 5 years of the date of purchase, The Crest Company will (at its election) either repair that product, replace the product, supply an equivalent product or pay the costs of repairing or replacing the product or acquiring an equivalent product.

This limited warranty will not extend to or cover any expenses associated with removing, demounting the original product or installing the repaired, replaced or equivalent product or all or any of its components, you must bear these expenses. It also does not cover damage or loss resulting from intentional or unintentional misuse of, tampering with, alterations to or incorrect installation of this product or use of this product for purposes other than that for which it is designed or in a manner inconsistent with the product's instructions. This limited warranty also does not apply to damage or loss resulting from fair wear and tear or events beyond The Crest Company control including but not limited to natural disasters.

In order to claim under this warranty, you must contact The Crest Company and return to The Crest Company (via our nominated reply paid address) the product and its components and proof of purchase (including the date and location of purchase) so that The Crest Company can verify the defect and your purchase.

Our goods come with guarantees that cannot be excluded under the Australian Consumer Law. You are entitled to a replacement or refund for a major failure and compensation for any other reasonably foreseeable loss or damage. You are also entitled to have the goods repaired or replaced if the goods fail to be of acceptable quality and the failure does not amount to a major failure. The benefits given by this warranty are in addition to other rights and remedies which you may have under a law in relation to the goods or services to which the warranty relates.

Proudly brought to you by:



PO Box 5658 Brendale  
QLD Australia 4500

Customer Support  
**1800 812 261**  
[www.crest.com.au](http://www.crest.com.au)

**AUSTRALIAN OWNED**