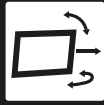


MFP7FM TV Wall Mount



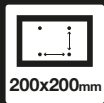
Full Motion

This TV Wall Mount allows you to move your TV at all angles and extends out up to 39cm from your wall



Compatible TV Size

This TV Wall Mount fits 20-42" (51x106cm) TV Screens



Maximum Mounting Pattern

This TV Wall Mount has a mounting hole pattern up to 200x200mm (HxW)



Maximum TV Weight

This TV Wall Mount supports TVs weighing up to 30kg

! SAFETY FIRST

1. Installation of this TV Wall Mount will be easier with two people.
2. Some images in this guide may vary slightly from the actual components supplied.
3. Ensure this instruction manual is completely read and understood before attempting installation.
4. This TV Wall Mount **MUST NOT** be installed solely in plasterboard, fibre cement and similar surfaces.
5. This TV Wall Mount **MUST** be installed in sound supporting structures such as those made of timber, steel or masonry using appropriate fasteners.
6. The supporting structure must be capable of sustaining the combined weight of the TV Wall Mount and the display otherwise the structure must be reinforced.
7. The fasteners supplied in this hardware pack allow for fixing into timber and masonry only. If installing into a supporting structure made of steel, appropriate fasteners must be used and sourced from an appropriate supplier.
8. Use appropriate tools and safety equipment and ensure adequate ventilation during installation.
9. If uncertain about any aspect of installation, contact The Crest Company or an installation professional.
10. Please retain these instructions for future reference.

Hardware Kit Contents

ITEM	DESCRIPTION	QTY	ITEM	DESCRIPTION	QTY
M-A	M4 x 14mm Bolt	4	W-B	Concrete Anchor	3
M-B	M5 x 14mm Bolt	4	W-C	D6 Washer	3
M-C	M6 x 14mm Bolt	4	A	Wall Mount	1
M-D	M8 x 20mm Bolt	4	B	Cable Clip	1
M-E	D5 Washer	2	C	Allen Key 6mm	1
M-F	D8 Washer	2	D	M6/M8 Wrench	1
M-G	Spacer	8	E	Stud Finder with Spirit Level	1
W-A	Lag Bolt ST6.3 x 55mm	3			

Tools Required

DRYWALL INSTALLATION (TIMBER SUPPORTS):

- Adjustable spanner/socket set
- Phillips head screwdriver
- Power drill
- High speed 4.5mm drill bit
- Pencil

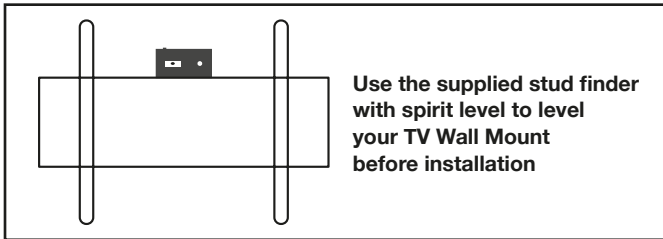
MASONRY INSTALLATION:

- Adjustable spanner/socket set
- Phillips head screwdriver
- Power drill with hammer function
- 10mm masonry drill bit
- Pencil
- Hammer

Using the Stud Finder with Spirit Level

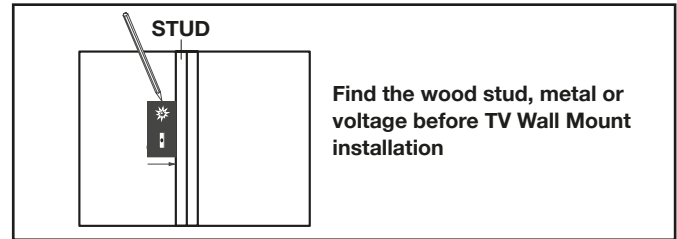
HOW IT WORKS:

- Use this stud finder on drywall (timber supports) only
- The stud finder accurately locates metal pipes, AC wires, studs and wooden frames
- The stud finder LED indicator flashes GREEN when an object is detected
- The stud finder can detect the depth of:
WOOD: up to 20mm, wood should be detected based on the thickness of the drywall less than 20mm
METAL: up to 50mm, metal should be detected based on the thickness of the drywall less than 50mm
VOLTAGE: up to 70mm, AC wires should be detected based on the thickness of drywall less than 70mm



INSTRUCTIONS:

1. Keep the stud finder in touch with the drywall.
2. Press the ON/OFF button until the LED indicator turns RED. Do not move the stud finder.
3. Wait 3 to 10 seconds until the LED indicator turns GREEN, then start moving the stud finder on the drywall.
4. The GREEN LED indicator will start flashing when an object is detected.
5. Mark a point on the wall using your pencil, then continue moving the stud finder until the GREEN LED indicator stops flashing, mark another point on your wall.
6. The midpoint between the two marks on your wall is the centre of the stud.



Step 1: Fix Wall Plate to Wall

A. INSTALLING IN DRYWALL (TIMBER SUPPORTS)

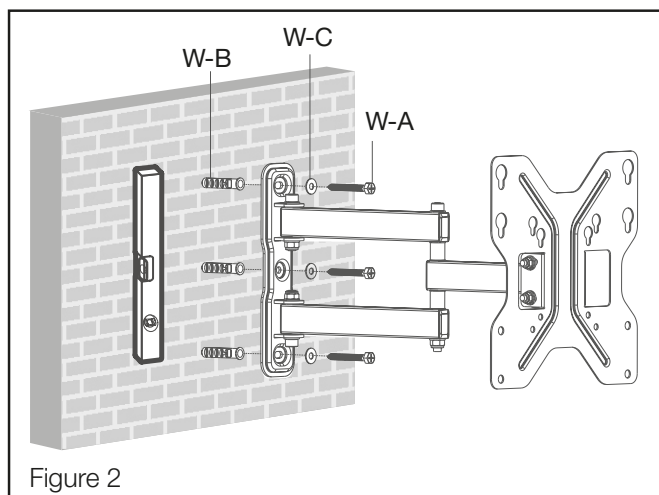
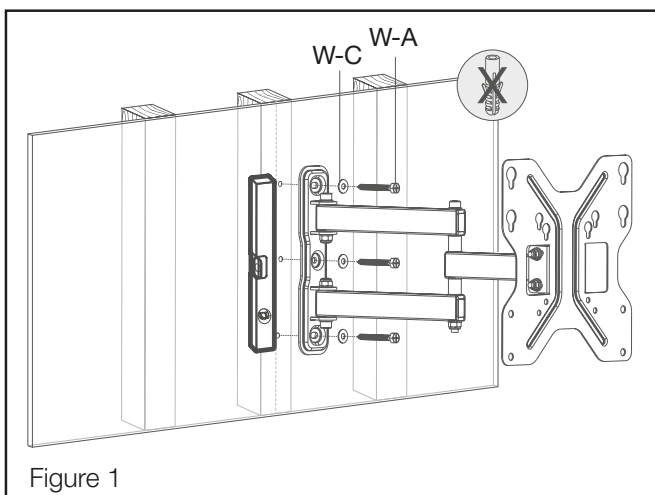
WARNING: If attaching this TV Wall Mount using this method, you MUST position the wall plate over a wall stud. The Crest Company will not accept any damages that may occur and holds no responsibility for incorrectly installed TV Wall Mounts.

1. Locate centre of a timber stud using the supplied stud finder with spirit level.
2. Mark 3 fixing holes over stud centre using the wall plate as a guide. Ensure Wall Plate is straight and level.
3. Pre-drill holes to a depth of 40mm using a high speed 4.5mm drill bit. If installing in hardwood, larger diameter and deeper holes may be required.
4. Attach the Wall Plate using the lag bolts (W-A) and washers (W-C) (see Figure 1). Do not over tighten.

B. INSTALLING IN MASONRY

WARNING: Ensure you have a minimum of 35mm of actual concrete/brick thickness in the hole for the anchors. Do not drill into mortar joints. Installer must verify that the supporting surface will safely support the combined weight of the TV Wall Mount and TV. The Crest Company holds no responsibility for incorrectly installed TV Wall Mounts.

1. Mark 3 fixing holes using the Wall Plate as a guide. Ensure Wall Plate is level.
2. Pre-drill holes to a minimum depth of 50mm using 10mm masonry drill bit. Clean out holes.
3. Fully insert the concrete anchors (W-B). Tap in with hammer if required.
4. Attach the Wall Plate using lag bolts (W-A) and washers (W-C) (see Figure 2). Do not over tighten.



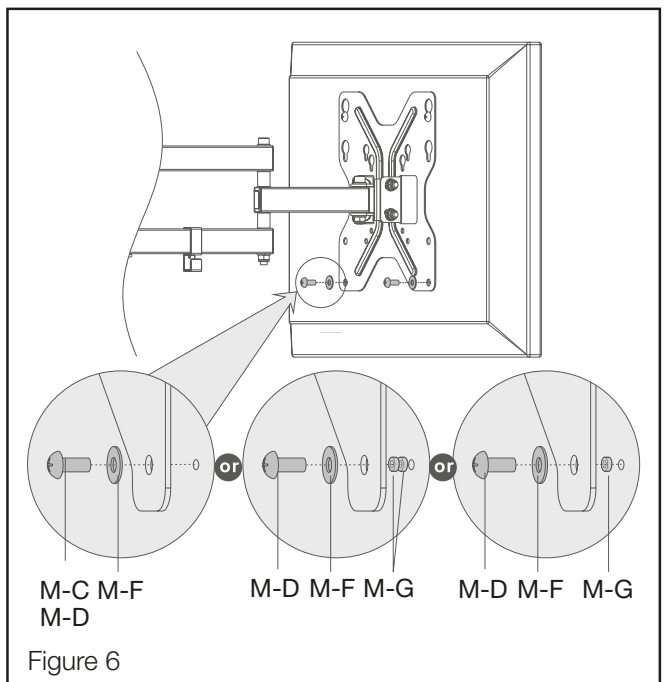
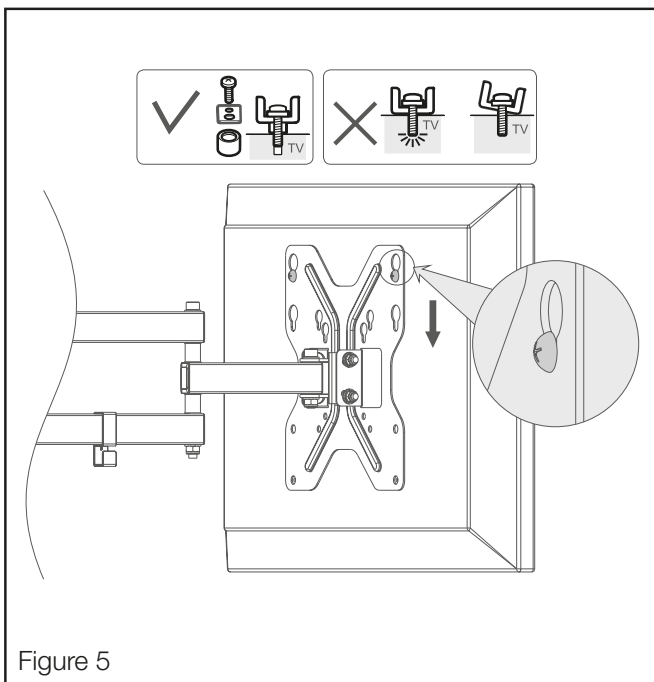
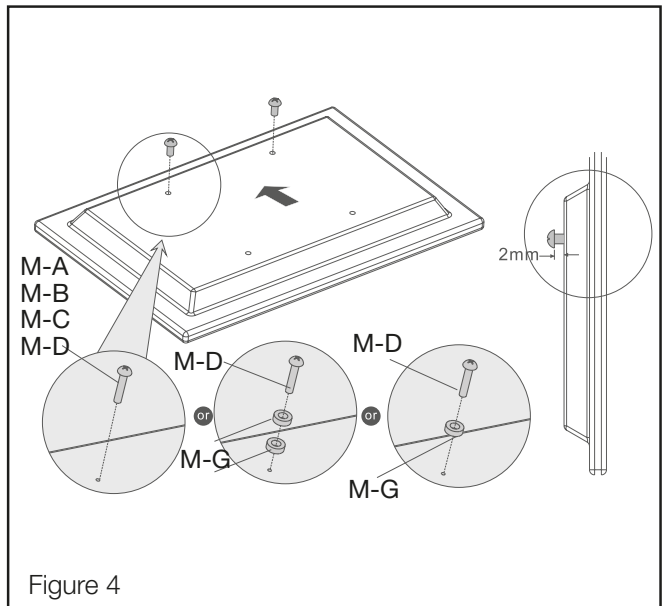
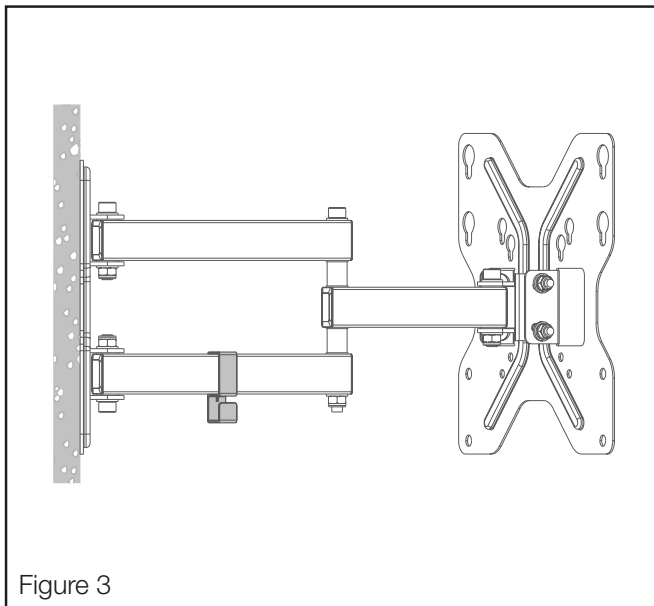
Step 2: Attach Mounting Arm to TV

1. Hang the cable clip (B) on the lower arm of the wall mount (see Figure 3).
2. Using a second person for assistance, lay your TV face down on something soft so as not to scratch the TV screen.
3. Check the back of your TV to find the appropriate mounting pattern.
4. Sort through the provided bolts (M-A to M-D) until you find the correct size that easily fits into the back of your TV and fits snugly (the bolt must turn at least 3 full turns) or use spacers. Insert the top two bolts and partially tighten leaving at least a 2mm gap from the back panel (see Figure 4). If you feel resistance stop immediately and select a smaller bolt.

The Crest Company is not responsible for any damage caused by screwing the bolt too far into the back of the TV.

Once you have selected the correct bolts, find the corresponding washers (M-E to M-F). If no bolts fit you will need to go to your local hardware supplier to find the correct bolt and washer sizes.

5. Lift the TV and align the slots on the mounting arm with the two bolts and lower the TV into place (see Figure 5).
6. Using the remaining correct mounting bolts, insert these through corresponding washers (M-E to M-F) to attach the bottom holes of the mounting Wall Plate to the rear of the TV (see Figure 6). If the larger bolts are selected (M-D) then use the hole spacer (M-G) to fill out the Wall Plate hole and reduce its size for a snugger fit (see Figure 6). To avoid damaging TV, do not overtighten bolts.



Step 3: Full Motion Adjustment & Maintenance

1. You can now adjust your TV to the desired viewing angle (see Figure 7).
2. Once your TV is connected you can now use the cable clip (B) to manage your cables.
3. If your Wall Mount is too loose and moves around too easily or vice versa (too tight) please use provided Allen key (C) or M6/M8 wrench (D) to tighten or loosen as required.

WARNING: Do not loosen too much as the Wall Mount may fall apart.

Check your TV Wall Mount is secure and safe to use at regular intervals (at least every three months).

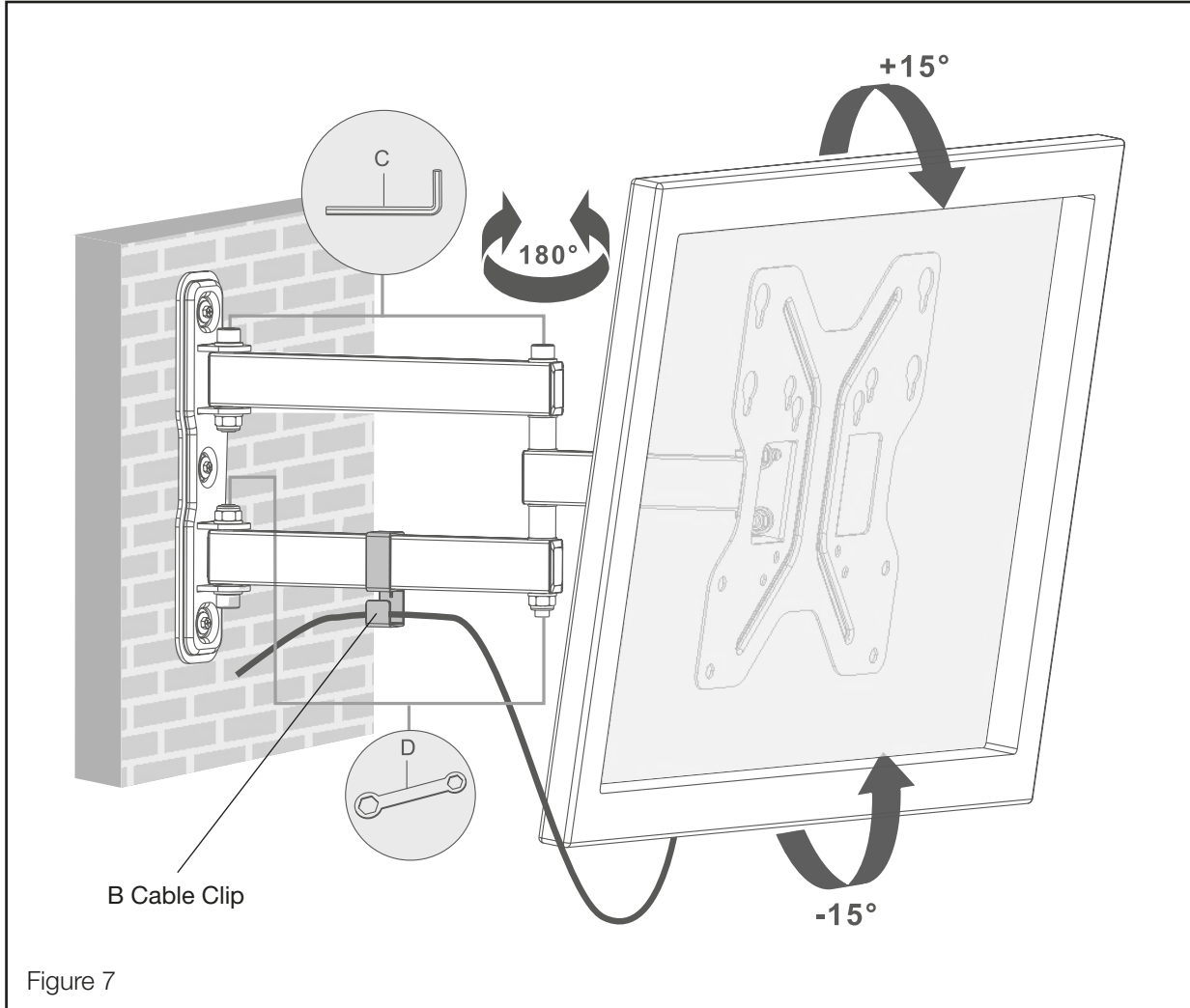


Figure 7

5 YEAR WARRANTY

Olbertz Holdings Pty Ltd ACN 010 003 933 trading as The Crest Company of 165 South Pine Road, Brendale, Queensland, 4500, Ph: 1800 812 261, www.crest.com.au, warrants that if this Crest product purchased by you from The Crest Company or a retail outlet is found by The Crest Company to be defective in workmanship or materials within 5 years of the date of purchase, The Crest Company will (at its election) either repair that product, replace the product, supply an equivalent product or pay the costs of repairing or replacing the product or acquiring an equivalent product.

This limited warranty will not extend to or cover any expenses associated with removing, demounting the original product or installing the repaired, replaced or equivalent product or all or any of its components, you must bear these expenses. It also does not cover damage or loss resulting from intentional or unintentional misuse of, tampering with, alterations to or incorrect installation of this product or use of this product for purposes other than that for which it is designed or in a manner inconsistent with the product's instructions. This limited warranty also does not apply to damage or loss resulting from fair wear and tear or events beyond The Crest Company control including but not limited to natural disasters.

In order to claim under this warranty, you must contact The Crest Company and return to The Crest Company (via our nominated reply paid address) the product and its components and proof of purchase (including the date and location of purchase) so that The Crest Company can verify the defect and your purchase.

Our goods come with guarantees that cannot be excluded under the Australian Consumer Law. You are entitled to a replacement or refund for a major failure and compensation for any other reasonably foreseeable loss or damage. You are also entitled to have the goods repaired or replaced if the goods fail to be of acceptable quality and the failure does not amount to a major failure. The benefits given by this warranty are in addition to other rights and remedies which you may have under a law in relation to the goods or services to which the warranty relates.

Proudly brought to you by:



PO Box 5658 Brendale
QLD Australia 4500

Customer Support
1800 812 261
www.crest.com.au

AUSTRALIAN OWNED